

19pcs LED Zoom Moving Head

USER MANUAL



LED-1915Z

Please read and keep this manual carefully for further use!

Thank you for buying our professional Beam moving head.

This user manual includes important information for installation and operation, so please read this user manual carefully before installation and operation, and keep this user manual well for further use.

In order to install , operate, and maintain the lighting safety and correctly. We suggest that the installation and operation should be done by the verified technician and follow the instruction strictly.

Spare part includes:

Name	QTY	Unit
Fixture	1	PC
User manual	1	PC
Power cable	1	PC
DMX signal cable	1	PC
handle	1	PC

Please check carefully that there is no damage caused by transportation. Should there be any, consult your local dealer.

Cautions

Before delivery, this device has passed strict inspection, Please follow the user manual strictly for operation, if this fixture is damaged by improper operation and mistake, the fixture will be out of warranty, and manufacture or dealer won't be responsible for it. In case of any technology change in this manual,we won't advise in further .

CAUTION!



Keep this device away from rain and moisture!



Unplug mains lead before opening the housing!



Warning!

Damages caused by the disregard of this user manual are not subject to warranty. The dealer will not accept liability for any resulting defects or problems.

Installation



CAUTION!

Please consider the GB7000.15/EN60598-2-17 and the other respective national norms during The installation. The installation must only be carried out by a qualified person.

- ▶ This fixture is not suitable for direct installation on combustible material surface, please keep the fixture surface at least 0.5m from any combustible material.
- ▶ If you use the quick lock cam in hanging up the fixture, please make sure the quick lock fasteners turned in the quick lock holes correctly.
- ▶ The applicable temperature for the fixture is between -25°C to 45°C. Do not use the lighting under or above this temperature range.
- ▶ The truss for hanging the fixture should be able to hold 10 times weight of this fixture and no deformation after 1 hour hang.
- ▶ Please don't stand under the fixture when install, uninstall, move or repair the fixture.
- ▶ Please ensure the light is connected correctly and invite professional technician to check and confirm the electrical data before installation.
- ▶ Please invite professional technician to check the fixture and installation each year.

Rigging:

Insert the quick-lock fasteners of the first holder into the respective holes on the bottom of the device. Tighten the quick-lock fasteners fully clockwise.

Fix the clamp on truss or other fixture bracket.

Pull the safety rope through the holes on the bottom of the base and fasten it on the truss or other fixing point.

Note: This step is quite important to ensure that fixture will not drop down for the clamp damage.

Product specification

Voltage: 100-240V, 50/60HZ;

Power Consumption: 300W;

LED: 19pcs 15W RGBW LED

DMX Channel: 16/11CH

Operation mode: master-slave/DMX/Auto/Sound

Dimming: 0-100% linear dimming

Pan: 540°

Tilt: 270°

Focus/Zoom: Yes

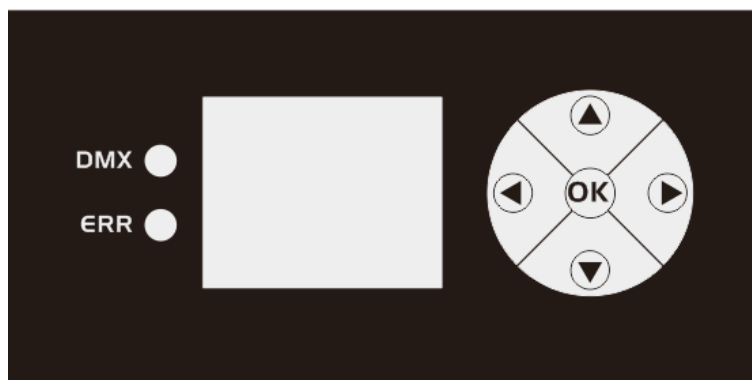
Strobe: 1-25Hz

Display: LCD touch screen

Working temp.: -10°~45°

Display and operation

Touch button	Function
Up	Option, Edit
Down	Option, Edit
Left	Backtrack, Edit
Right	Backtrack, Edit
OK	Enter to edit , confirm



Display operation interface:

Main Menu	Submenu	Function
Basic setting	Address code	001-512
	Language selection	Chinese/English
	Sensitivity	10-100
	Reset	confirm
Operating Mode	Console - 16 CH	/
	Console - 11 CH	/
	Sound	/
	Auto	/
Channel Test	Channel 1	000-255
	Channel 2	000-255
	000-255
	Channel 16	000-255
Reset Calibration	Horizontal Calibration	000-127-255
	Vertical Calibration	000-127-255
	Focus Correction	000-127-255
	Red Correction	000-255
	Green Correction	000-255
	Blue Correction	000-255

	White Correction	000-255
Advanced settings	Factory settings	Confirm
	Screen saver	On/Off
	Display Reverse	On/Off
	Code disc	On/Off
	No signal mode	hold/cut
	temperature protection	On/Off
	Protection temperature	30-100
	Horizontal Reverse	On/Off
	Vertical Reverse	On/Off
	System Information	Temperature
Boot time		XXX
Console signal		with signal/no signal
Version		Vxxx

16 DMX channel

16CH	Function	Value	Description
1	X	0-255	Horizontal position adjustment
2	X fine	0-255	Horizontal position fine-tuning
3	Y	0-255	Vertical position adjustment
4	Y fine	0-255	Vertical position fine-tuning
5	X/Y speed	0-255	Speed from fast to slow
6	Dimming	0-255	Dimming from dark to bright
7	Strobe	0-10	No strobe
		11-127	Random strobe, from slow to fast
		11-255	Normal strobe, from slow to fast
8	Red	0-255	Red from dark to bright
9	Green	0-255	Green from dark to bright
10	Blue	0-255	Blue from dark to bright
11	White	0-255	White from dark to bright
12	Focus	0-255	light spot from small to large
13	Color	0-99	No effect
		100-199	Auto
		200-255	Sound
14	Color Speed	0-255	Speed from slow to fast
15	Macro	0-99	No effect
		100-199	Auto
		200-255	Sound
16	Reset	0-249	No effect
		250-255	Effect

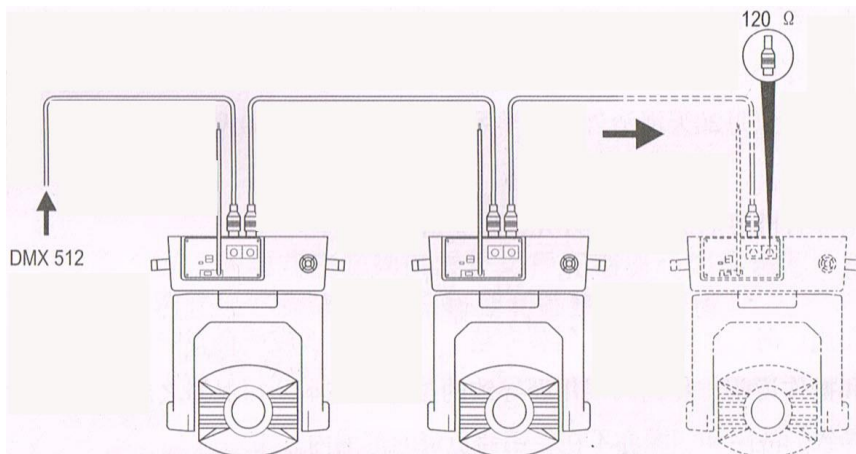
11 DMX channel

11CH	Function	Value	Description
1	X	0-255	Horizontal position adjustment
2	Y	0-255	Vertical position adjustment
3	X/Y speed	0-255	Speed from fast to slow
4	Dimming	0-255	Dimming from dark to bright
5	Strobe	0-10	No strobe
		11-127	Random strobe, from slow to fast
		128-255	Normal strobe, from slow to fast
6	Red	0-255	Red from dark to bright
7	Green	0-255	Green from dark to bright
8	Blue	0-255	Blue from dark to bright
9	White	0-255	White from dark to bright
10	Focus	0-255	light spot from small to large
11	Reset	0-249	No effect
		250-255	Effect

DMX-512 connection

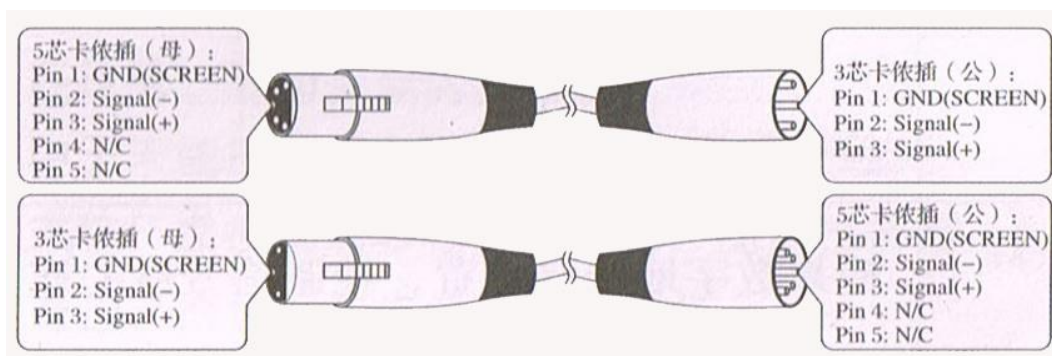
Connect the provided XLR cable to the male 3-pin XLR output of your controller and the other side to the female 3-pin XLR input of the light. then connect the DMX signal to the first fixture to the 2nd fixture, after all fixtures are connected,

The signal cable should be two - core with screened cable with XLR input and output connectors. Please refer to the diagram below

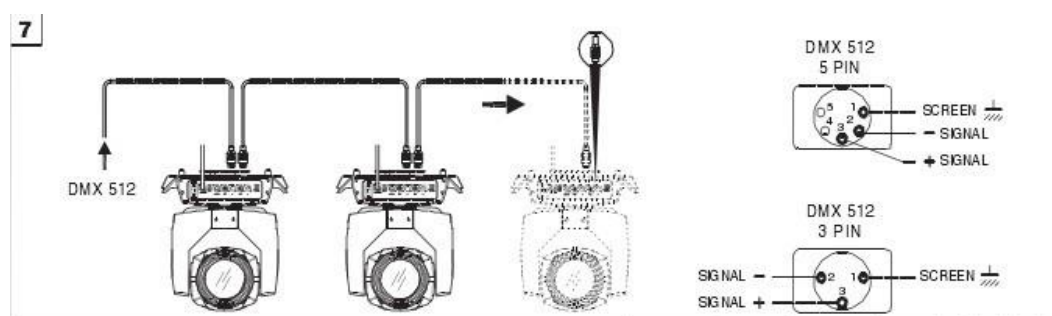
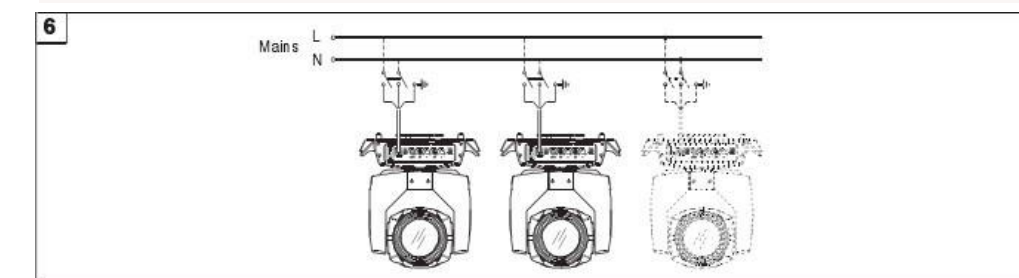


DMX terminator connection

If there are many lines or lights, it is recommended to use a DMX terminator to prevent DMX signal corruption, the DMX terminator is a simple XLR plug with a 120 Ω resistor connected between pins 2 and 3, which is then plugged into the output XLR socket of the last fixture in the chain.



3-Pins connection



Cleaning and maintenance


Cleaning should be performed every 15-day period, by using a sponge which is dipped with alcohol, rather than wet cloth or other chemical liquid, to clean the mirror.



CAUTION

Cut off power before cleaning and maintenance!

Do not see directly light source when open the light, and make sure power off before do any installation or maintenance.

	CAUTION! Never look directly into the light source, as sensitive persons may suffer an epileptic shock.
---	--

	CAUTION Wires connection must be done professional person!
---	--

Cautions

Before delivery, this device has passed strict inspection, Please follow the user manual strictly for operation, if this fixture is damaged by improper operation and mistake, the fixture will be out of warranty, and manufacture or dealer won't be responsible for it. In case of any technology change in this manual,we won't advise in further .

Note: the maintenance should be done by the verified technician.

Warranty Card

This product is made of high-brightness transistor. We will provide 1 year warranty under the condition that user has operated the light normally and lifetime service. We won't provide warranty if the damage is caused by artificial or force majeure event. Cost of fittings should be charged by user if product need maintenance after 1 year .Please cut this warranty card and shipped it along with the product to our factory when applying for warranty.

Product:

Purchasing date:

Code of invoice:

Warranty date: From

To

User's name:

Add:

Company:

Tel: